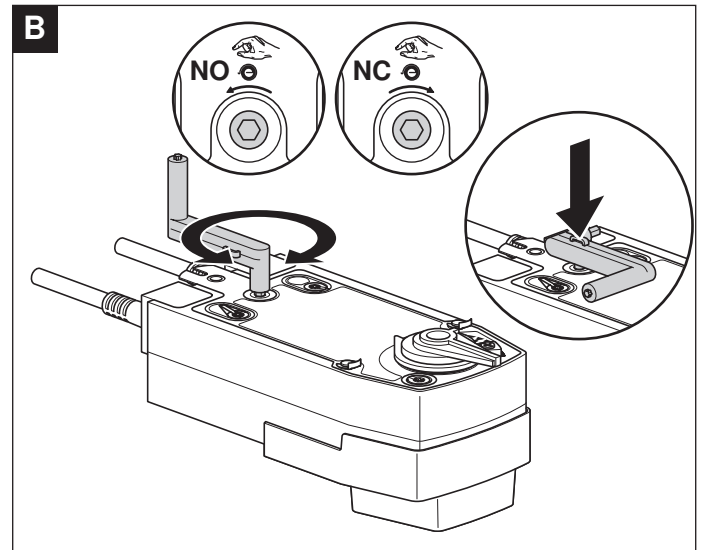
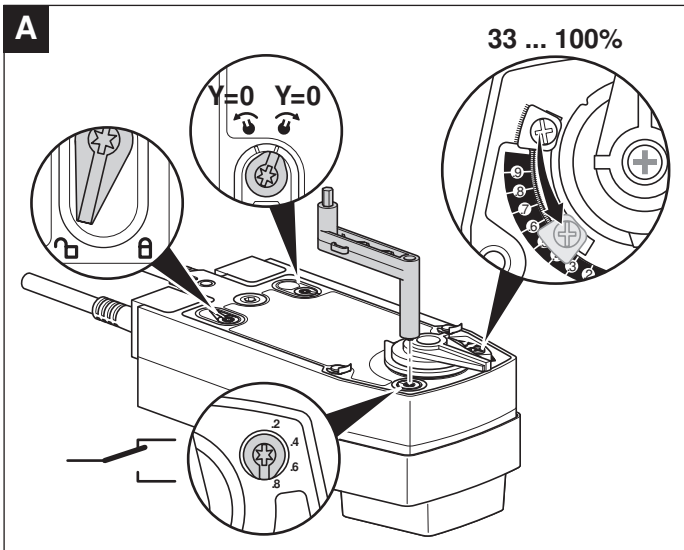
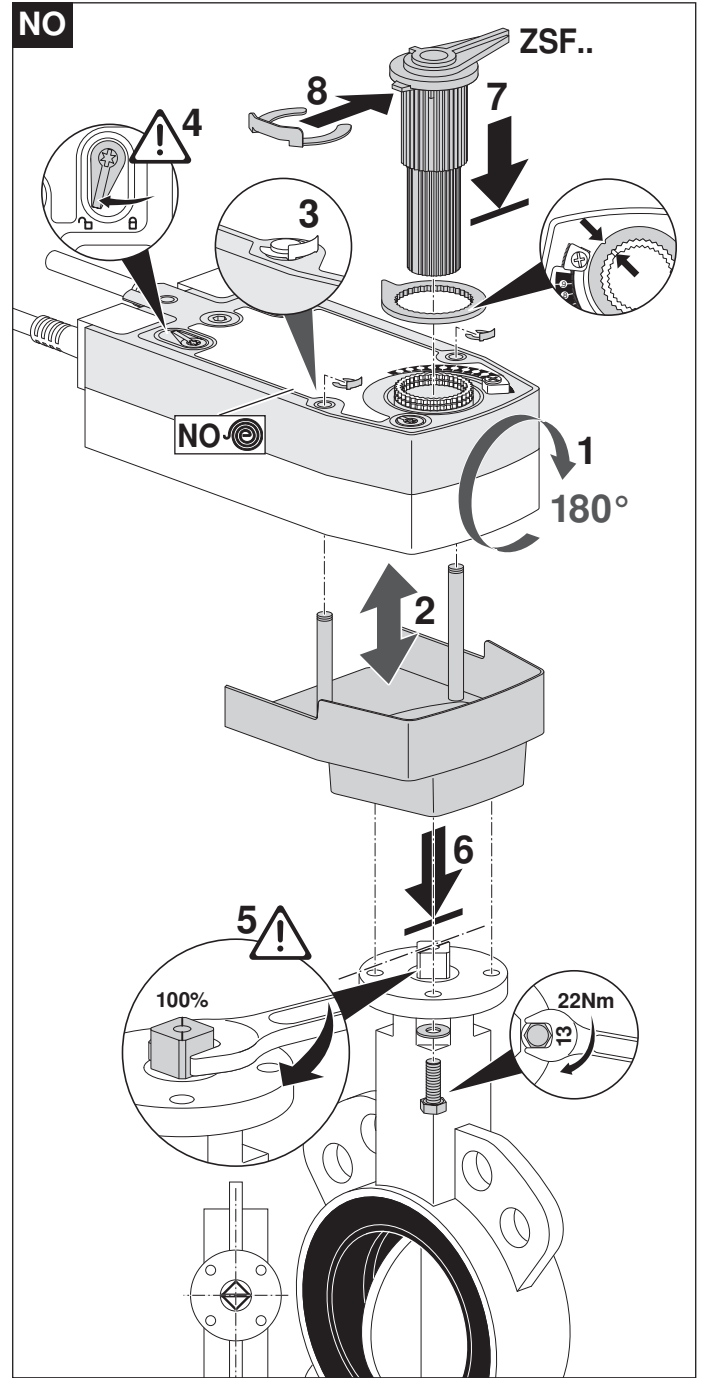
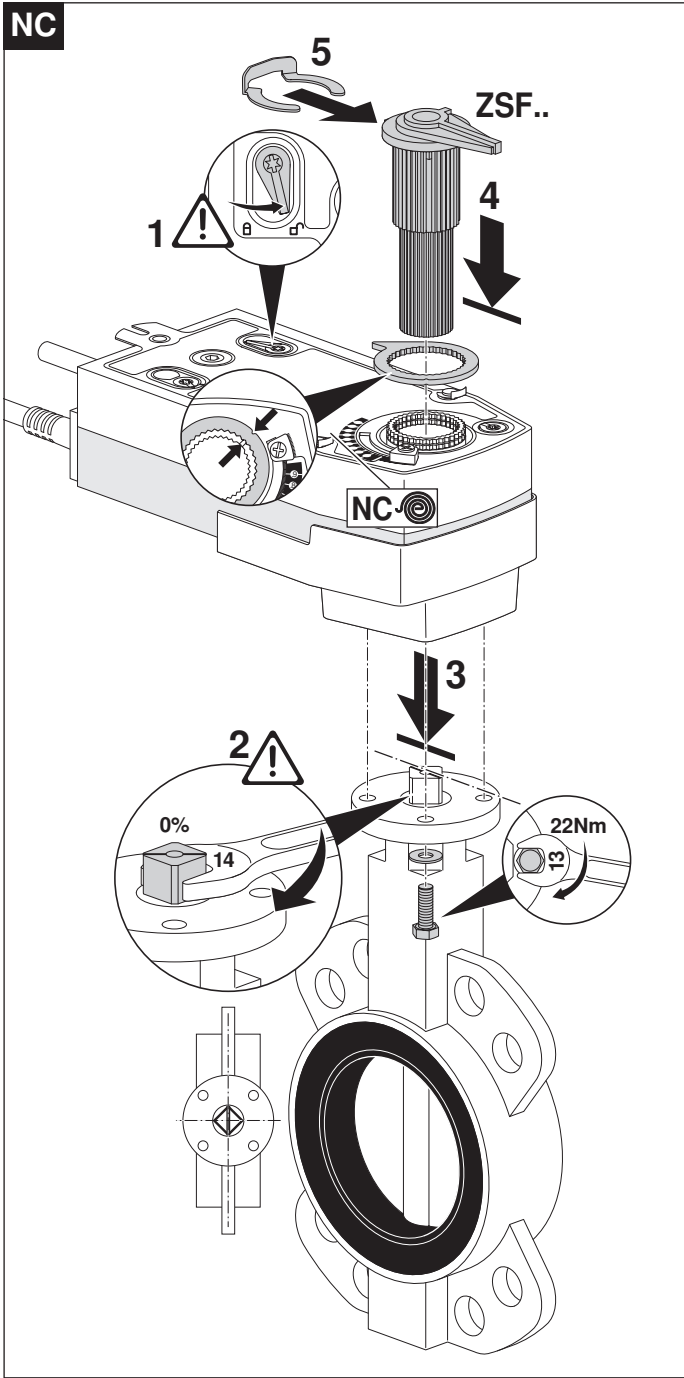
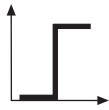
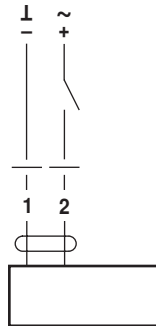


71230-00001.C

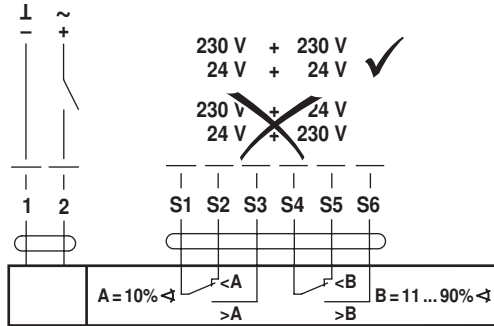




AC 24 V / DC 24 V



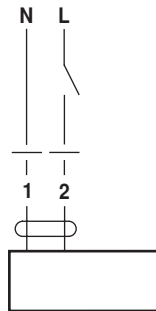
NRF24A(-O)-R
SRF24A(-O)-R



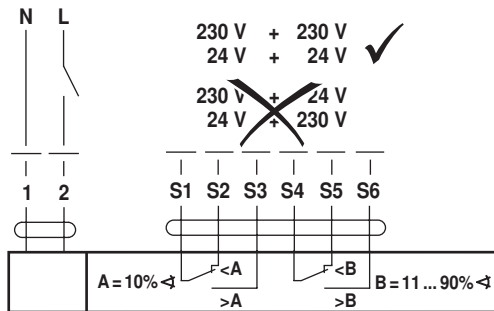
NRF24A-S2(-O)-R
SRF24A-S2(-O)-R

230 V + 230 V
24 V + 24 V ✓
~~230 V + 24 V~~
~~24 V + 230 V~~

AC 230 V ⚠



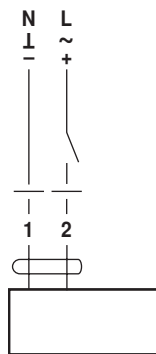
NRF230A(-O)-R
SRF230A(-O)-R



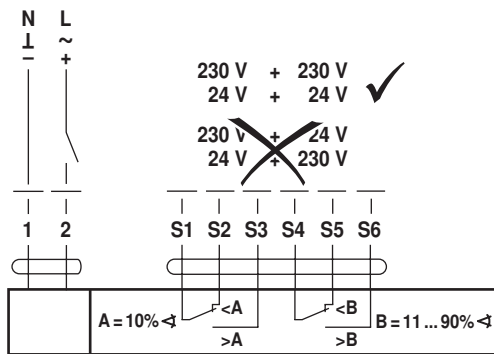
NRF230A-S2(-O)-R
SRF230A-S2(-O)-R

230 V + 230 V
24 V + 24 V ✓
~~230 V + 24 V~~
~~24 V + 230 V~~

AC 24 ... 240 V / DC 24 ... 125 V ⚠

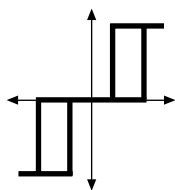


NRFA(-O)-R
SRFA(-O)-R

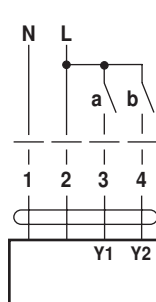


NRFA-S2(-O)-R
SRFA-S2(-O)-R

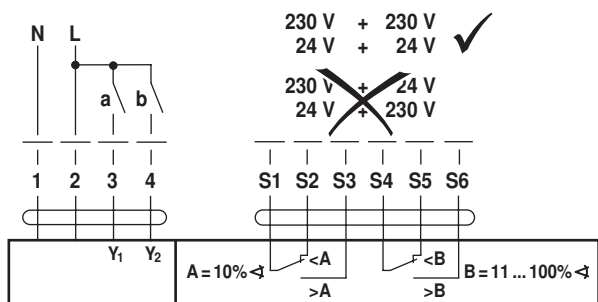
230 V + 230 V
24 V + 24 V ✓
~~230 V + 24 V~~
~~24 V + 230 V~~



AC 230 V ⚠



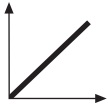
NRF(D)230A-3(-O)-R
SRF230A-3(-O)-R



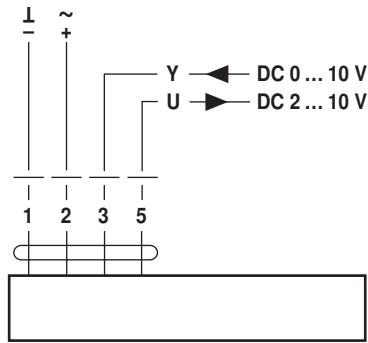
NRF(D)230A-3-S2(-O)-R
SRF230A-3-S2(-O)-R

230 V + 230 V
24 V + 24 V ✓
~~230 V + 24 V~~
~~24 V + 230 V~~

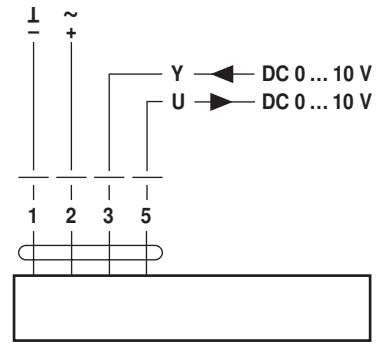
		NO	NC	
a (Y1)	b (Y2)			
				A - AB = 100%
		stop	stop	
				A - AB = 0%



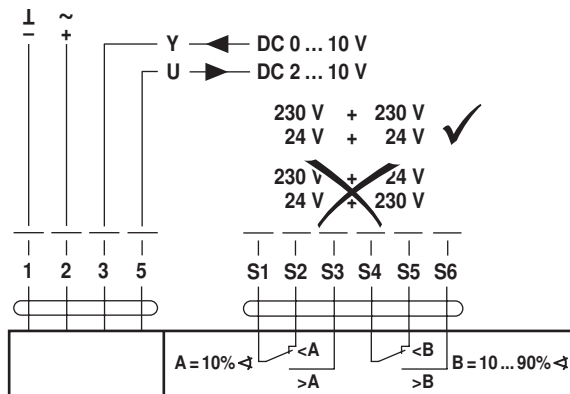
AC 24 V / DC 24 V



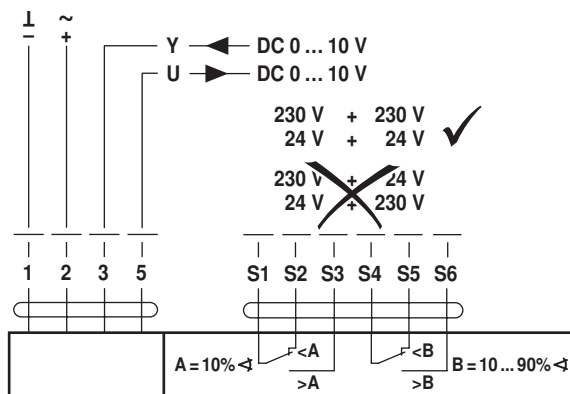
NRF24A-SR(-O)-R
SRF24A-SR(-O)-R



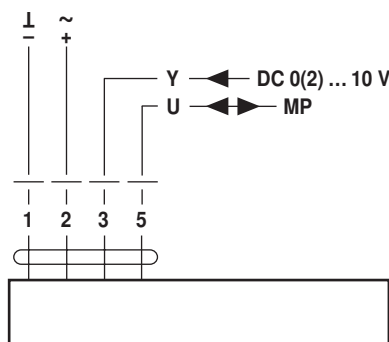
NRF24A-SZ(-O)-R
SRF24A-SZ(-O)-R



NRF24A-SR-S2(-O)-R
SRF24A-SR-S2(-O)-R



NRF24A-SZ-S2(-O)-R
SRF24A-SZ-S2(-O)-R



NRF24A-MP(-O)-R
SRF24A-MP(-O)-R

